

D series COB LED down light



Features

- ADS-12 die-casting aluminum heat, frosted glass shade;
- Using COB light source, high light efficiency, high PF, high display refers to Ra;
- Light uniform effect is good, excellent heat, high-grade quality;
- Environment friendly, only 20% power consumption compare with traditional light
- Long lifespan 50000 hours
- Wide voltage design available
- Anti-shock, Anti-moisture and no glare, No strobe light
- 2.5" 3" 4" 6" 8" is available

Specification

Type	Inches	Power	Input voltage	PF	lumens	CCT	LED chips	Size(mm)	Cut	Certifacations	Warranty
MS-DLD-5W	2.5'	5W	AC85-265V 50-60Hz	>0.9	270-300LM	2800K-3200K 4000K-4500K 6000K-6500K	Sanan COB	F 105xH50	F90mm	CE ROHS	3 years
MS-DLD-10W	3'	10W	AC85-265V 50-60Hz	>0.9	450-500LM	2800K-3200K 4000K-4500K 6000K-6500K	Sanan COB	F 120xH50	F 105mm	CE ROHS	3 years
MS-DLD-15W	4'	15W	AC85-265V 50-60Hz	>0.9	630-700LM	2800K-3200K 4000K-4500K 6000K-6500K	Sanan COB	F 140xH70	F 130mm	CE ROHS	3 years
MS-DLD-20W	6'	20W	AC85-265V 50-60Hz	>0.9	800-1000LM	2800K-3200K 4000K-4500K 6000K-6500K	Sanan COB	F 200xH80	F 185mm	CE ROHS	3 years
MS-DLD-30W	8'	30W	AC85-265V 50-60Hz	>0.9	1100-1200LM	2800K-3200K 4000K-4500K 6000K-6500K	Sanan COB	F 225xH85	F 210mm	CE ROHS	3 years



LAMP MASK

The use of tempered glass transparent shade
COB reflective cup design



LIGHT BODY

The use of high-quality aluminum Seiko suppression
Design of Spiral Air Convection
Surface paint oxidation treatment

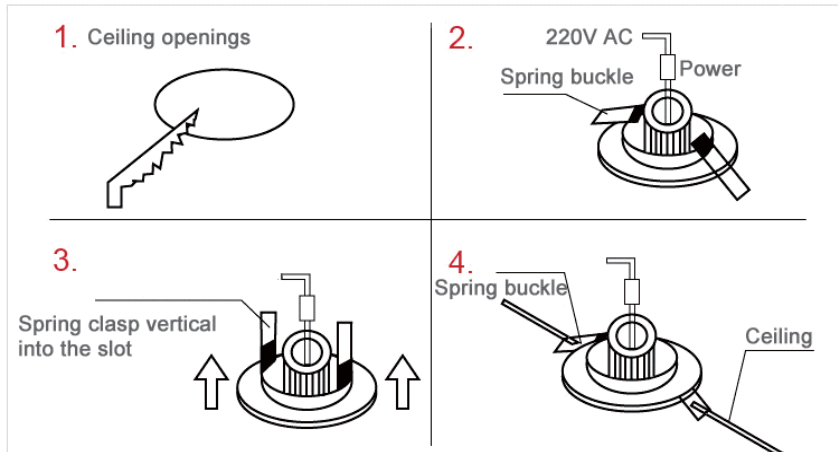
Applications



Applications available

Living room, bedroom, kitchen, washroom;
School, university, hospital, hotel;
Conference, meeting room, show room,
showcase;
Commercial complexes;
Factory, plant, warehouse, office;
Supermarket, department store.

Installation Method



Packaging & Shipping

Standard export packing, color box or neutral white box
Within 7 days for samples, large order 15~25 working days after transfer

MINSENS 2017

Add: 16F, 2# building, No.55, Baishazhou Road, District Wuchang, Wuhan 430000, Hubei PRC, CN.
Web: www.minsens.com www.minsens-led.com
Tel: +86 27 5148 2125 Fax: +86 27 5148 2255